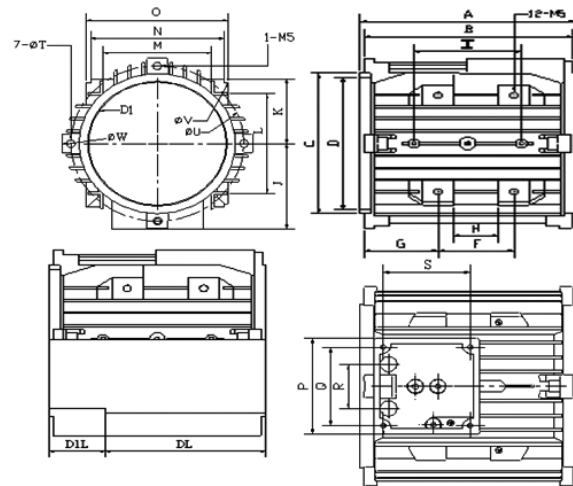
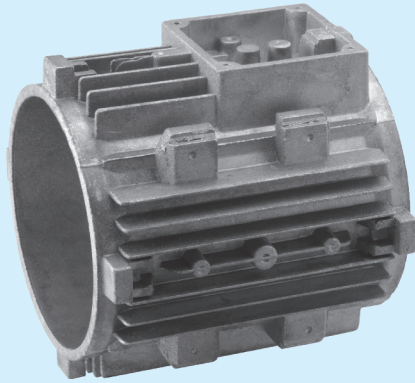


# FOREMOST INDUSTRIAL PRODUCTS

## PDC Aluminium Bodies



### ALUMINIUM MOTOR BODY

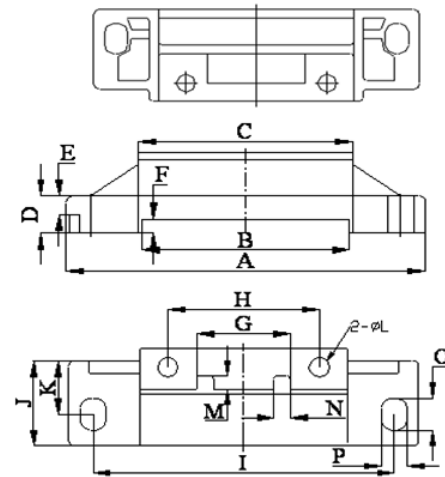
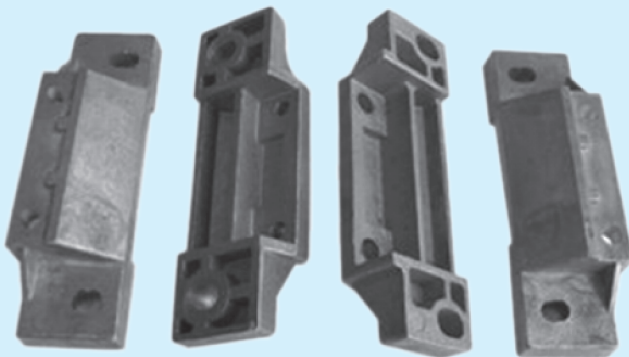


#### DIMENSIONAL DETAILS FOR MOTOR MACHINED BOX (MATERIAL GRADE : LM2)

FRAME	A	B	C	D	DL	D1	D1L	F	G	H	I	J	K	L	M	N	O	P	Q	R	S	T	U	V	W
63	112	108	90	87	89	85	23	40	36	22	60	58	40	68	60	80	90	66	54	30	54	6	106	120	117
71	133	128	110	105	100	103	33	50	42	28	56	68	52	85	82	95.5	102	66	54	30	54	6	124	139	137
80	146	140	130	126		126		48	43	25	65	80.5	60	93	93	108	124	82	64	32	64	6	142	163	153
TOLERANCE	±0.1	±0.1	±0.2	±0.1	±0.1	±0.1	±0.1	±0.2	±0.2										±0.2	±0.2	±0.2				

NOTE-ALL THE UNSPECIFIED DIMENSIONS ARE HAVING TOLERANCE OF ±0.1MM.

### ALUMINIUM MOTOR FOOT



#### DIMENSIONAL DETAILS FOR MOTOR FOOT (MATERIAL GRADE : LM2)

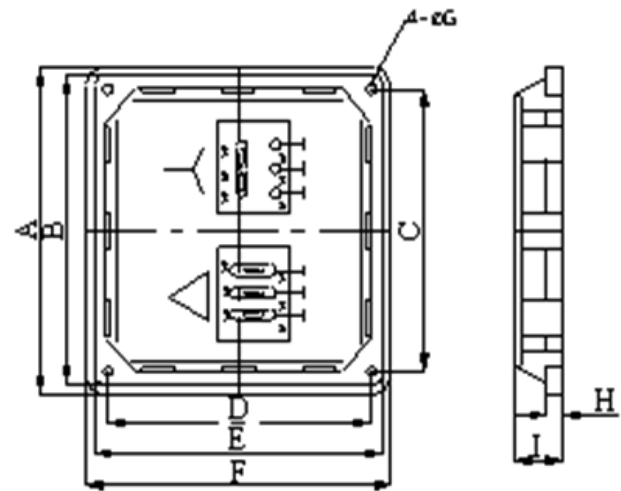
FRAME	A	B	C	D	E	F	G	H	I	J	K	L	M	N	O	P
63	103	51	58	9	2.5	3	22	40	80	28	18	5	3	4	9	6.5
71	104	61	68	10	3	3	28	49	90	28	15	5	3	5	9	6.5
80	130	60	67	11	9	4	24.5	49	100	35	18	6.5	4	4	14	11
TOLERANCE								±0.1	±0.1							

# FOREMOST INDUSTRIAL PRODUCTS

## PDC Aluminium Bodies



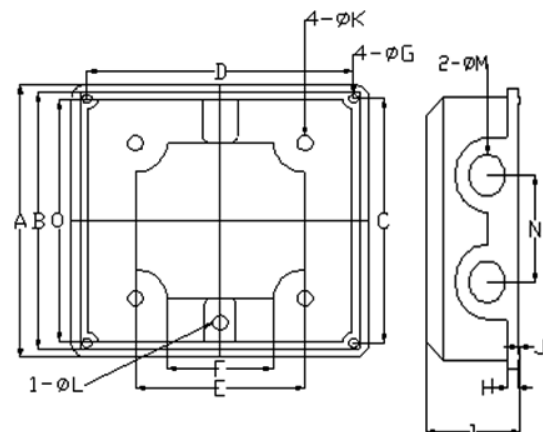
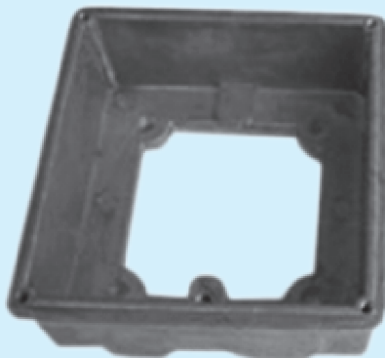
### ALUMINIUM MOTOR COVER



DIMENSIONAL DETAILS FOR MOTOR COVER (MATERIAL GRADE : LM2)

FRAME	A	B	C	D	E	F	G	H	I
63	94	89	85	85	89	94	4	5.5	16
71	94	89	85	85	89	94	4	5.5	16
80	94	90	85	85	91	94	5	5	10
TOLERANCE			±0.1	±0.1					

### ALUMINIUM MOTOR BOX

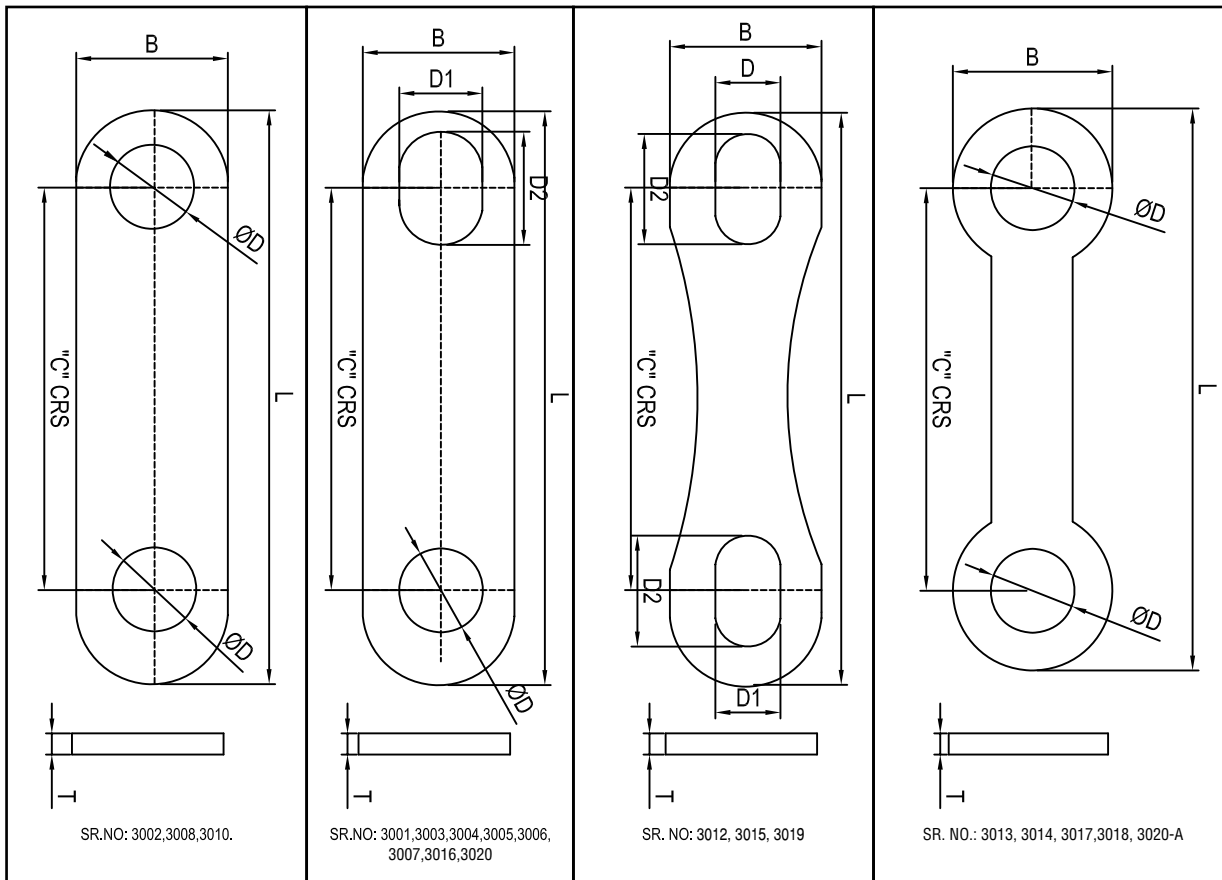


DIMENSIONAL DETAILS FOR MOTOR BOX (MATERIAL GRADE : LM2)

FRAME	A	B	C	D	E	F	G	H	I	J	K	L	M	N	O
63	94	89	85	85	54	38	3	4	37	1	5	5	14	36	84
71	94	89	85	85	54	38	3	4	37	1	5	5	14	36	84
80	94	90	85	85	65	52	4	3	37	2	6	6	18	40	86
TOLERANCE			±0.1	±0.1											

# FOREMOST INDUSTRIAL PRODUCTS

## Shorting Links



SR NO.	MATERIAL	SUITABLE FOR	L	B	'C' CRS	ØD	D1 x D2	T
3001	BRASS	FI/TP 1/6T, KM-4	28.5	9	18	6	(6 x 7.5)	0.5
3002	BRASS	FI/TP 2/6T, KM-5, GK-130	31.0	10	21.5	6.5	-	0.5
3003	BRASS	FI/TP 3/6T, KM-6, 2059	37.5	11	25.5	7	(7 x 11)	0.5
3004	BRASS	FI/TP 4/6T, FI/TP 5/6 T	43.5	11.5	31	6.5	(6.5 x 10)	0.8
3005	BRASS	FI/TP 6/6T	54	16	36	9	(9 x 13)	0.8
3006	BRASS	FI/TP 7/6T	62	16	44	9	(9 x 13)	0.8
3007	COPPER	FI/TP 8/6T (OLD)	40.5	12	25	6.5	(6.3 x 12.8)	1.5
3008	COPPER	FI/TP 146	32	12	20	7	-	1
3010	BRASS	FI/TP GR-10/6T	24	8	16	5	-	0.5
3012	BRASS	FI/TP 226	32	11	20	(6.3 x 9)	(6.3 x 9)	0.5
3013	BRASS	40 X 25 (2109)	23	8	15	4.3	-	0.5
3014	BRASS	64 X 40 (2111)	33	10	23	5.3	-	0.7
3015	BRASS	96 X 60 (2114)	54	18	36	(8.4 X 9.5)	(8.4 X 9.5)	2
3016	BRASS	120 X 75 (2115)	64	16	45	10.3	(10.3 X 15)	2.5
3017	BRASS	56 X 36 (2110)	30	10	20	5.3	-	0.7
3018	BRASS	82 X 52 (2112), GK-330	42.5	12.5	30	6.4	-	1
3019	BRASS	54 x 34 (2116)	30	10	19	(5 x 7)	(5 x 7)	0.8
3020	BRASS	78 x 48 (2120), 8/6 T (NEW)	44	12	30	6.5	(6.5 x 13)	0.5
3020-A	BRASS	50 x 32 (2129)	26	8	18	4.2	-	0.8